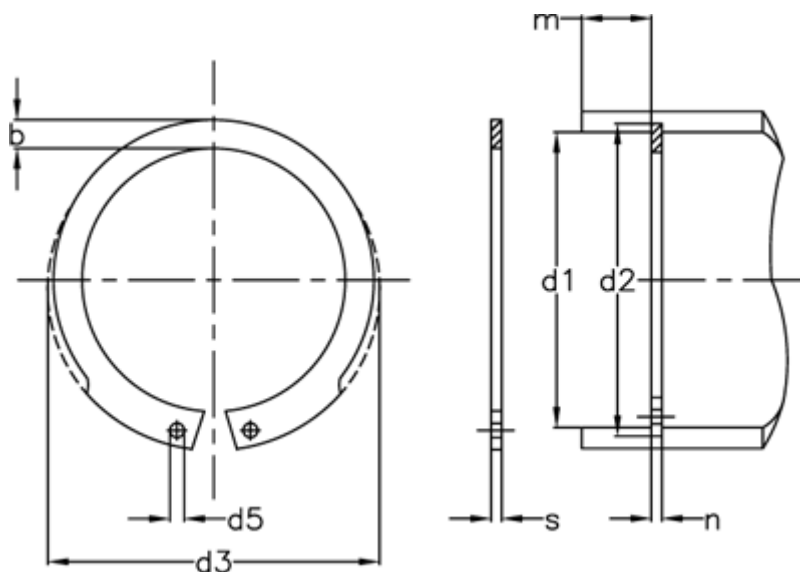


Article number: 0106098

Description: Retaining ring JV 100

Measures



AN mm ²	= 280	FRg kN	= 3.0	tol	= 0.3
b	= 7.4	FR kN	= 165.0	tol	= -0.08
d1	= 100	g	= 3.0	tol	= +0,31-0,54
d2	= 103.5	K kN-mm	= 312.0	tol	= +0,35
d3	= 105.5	m min	= 3.15	Tong	= ZGJ-3
d5 min	= 3.0	Nominal drive	= 5.3	Weight kg/1000	= 41.90
Description	= JV 100	s	= 3.00		
FN kN	= 46.70	t	= 1.75		